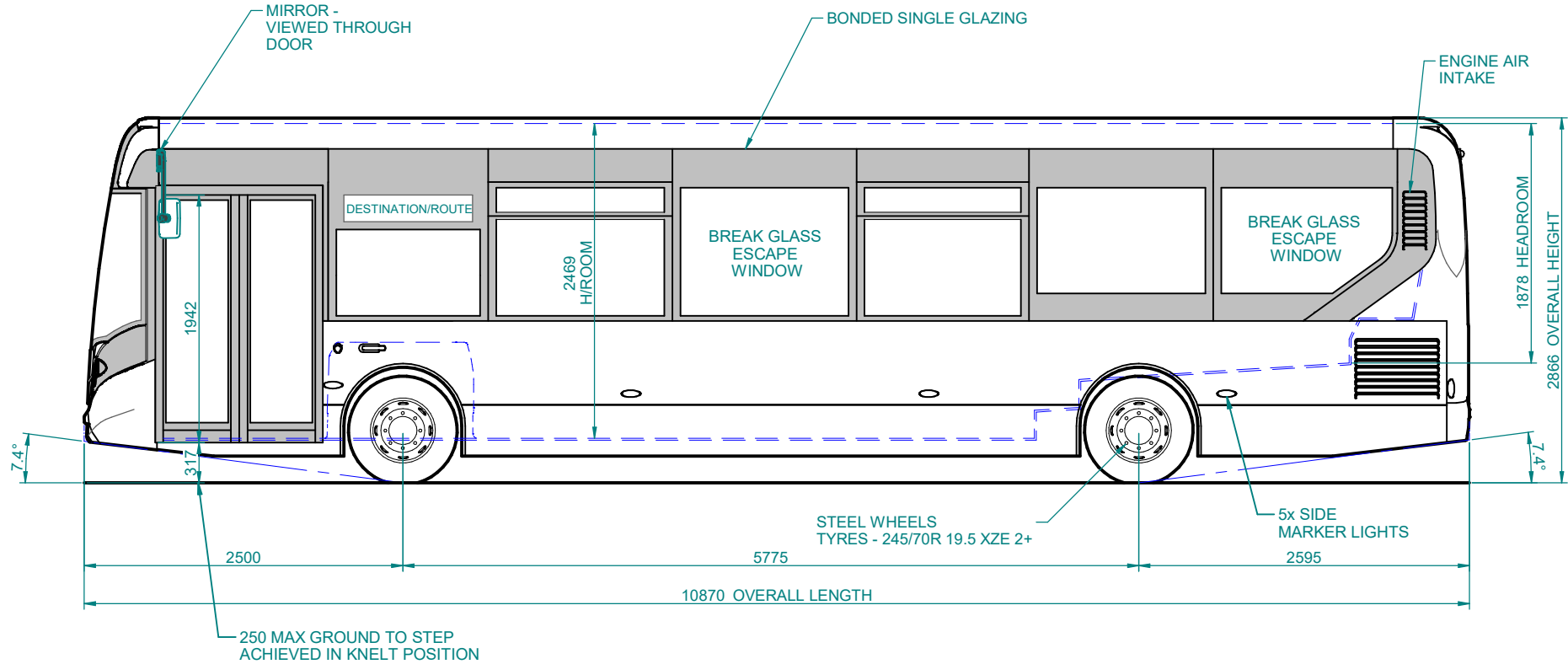


\* ENGINEERING PROPOSAL FOR THE PURPOSE OF ESTIMATION OF COSTING AND TIMING.  
 \* LAYOUT PROPOSAL IS SUBJECT TO ACCEPTANCE BY THE LEGISLATIVE BODY OF THE TARGET COUNTRY  
 \* THERE IS A BUILD TOLERANCE OF 2% THAT WILL AFFECT THE DECLARED CARRYING CAPACITY



LEFTHAND ELEVATION

Est. MIRO = 8093 kg  
 Est. UW = 7842 kg  
 Ref: J241



Form No EN-059

Rev	Date	Description	Name
-	-	-	-

Title :  
 10.8 METRE MMC ENVIRO 200 BODY  
 4 CYL DENNIS CHASSIS - (EURO 6)

REF: 'RETAIL STOCK'

Drawn : J.Duff

Date : 21-01-20

Enq :

Seat Type :  
 ADL SmartSeat 100  
 High Back  
 (Seatbelt Provision Only)

Alexander Dennis Ltd  
 91 Glasgow Road  
 Falkirk FK1 4JB  
 T- 01324 621672 F- 01324 621746

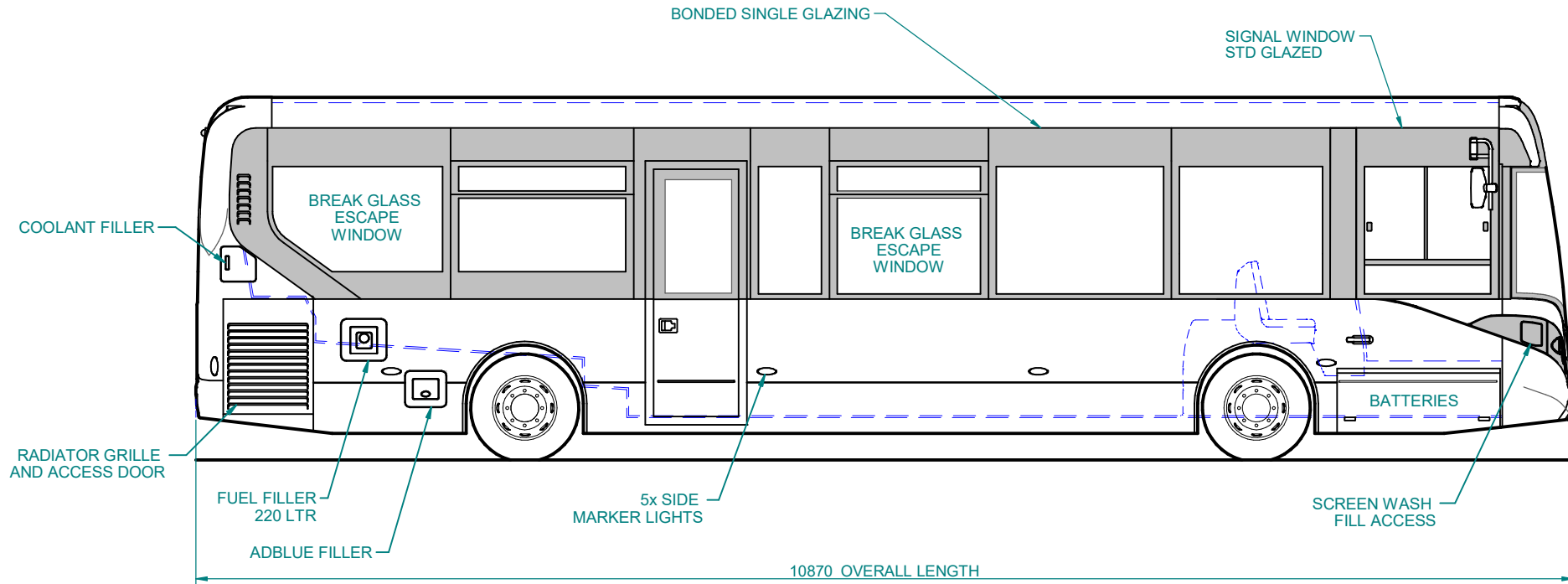
Iss No : 01

Page No : 1

Drg No :

L202GA

\* ENGINEERING PROPOSAL FOR THE PURPOSE OF ESTIMATION OF COSTING AND TIMING.  
 \* LAYOUT PROPOSAL IS SUBJECT TO ACCEPTANCE BY THE LEGISLATIVE BODY OF THE TARGET COUNTRY  
 \* THERE IS A BUILD TOLERANCE OF 2% THAT WILL AFFECT THE DECLARED CARRYING CAPACITY

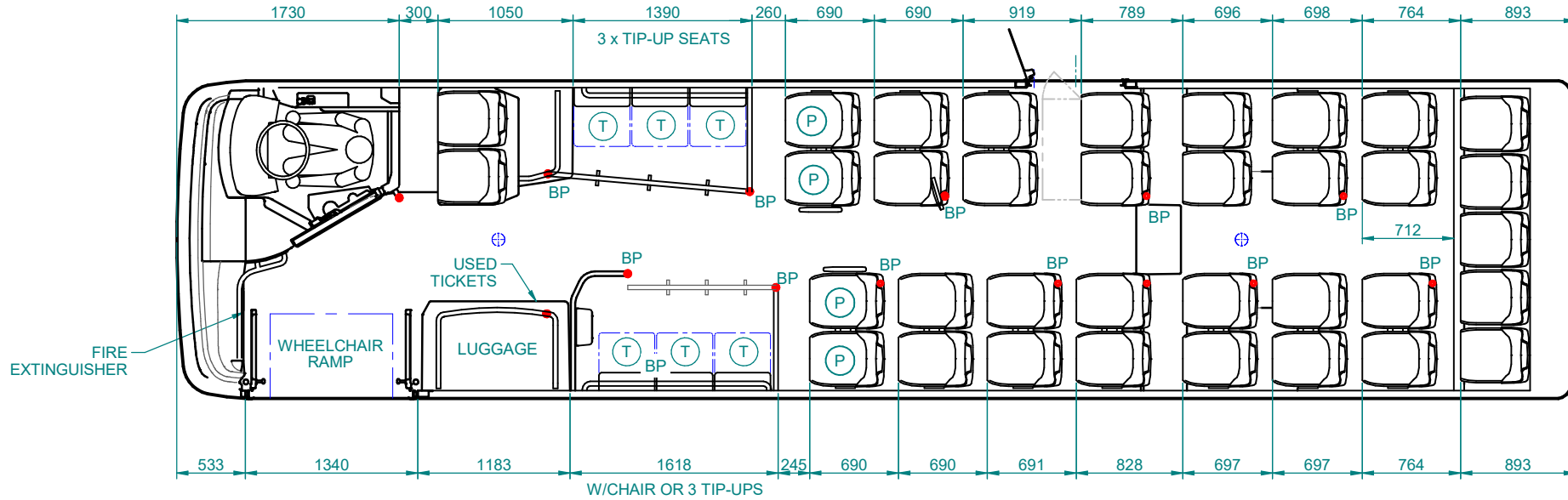


RIGHTHAND ELEVATION

Est. MIRO = 8093 kg  
 Est. UW = 7842 kg  
 Ref: J241

 <b>ALEXANDER DENNIS</b> Form No EN-059	Rev	Date	Description	Name	<b>Title :</b> 10.8 METRE MMC ENVIRO 200 BODY 4 CYL DENNIS CHASSIS - (EURO 6)  REF: 'RETAIL STOCK'	Drawn :	J.Duff	<b>Seat Type :</b> ADL SmartSeat 100 High Back (Seatbelt Provision Only) Alexander Dennis Ltd 91 Glasgow Road Falkirk FK1 4JB T- 01324 621672 F- 01324 621746	Iss No :	01	Page No :	2
	-	-	-	-		Date :	21-01-20		Drg No :	<b>L202GA</b>		
	-	-	-	-		Enq :						

\* ENGINEERING PROPOSAL FOR THE PURPOSE OF ESTIMATION OF COSTING AND TIMING.  
 \* LAYOUT PROPOSAL IS SUBJECT TO ACCEPTANCE BY THE LEGISLATIVE BODY OF THE TARGET COUNTRY  
 \* THERE IS A BUILD TOLERANCE OF 2% THAT WILL AFFECT THE DECLARED CARRYING CAPACITY



SEATING CAPACITY  
 41 PLUS 0 WHEELCHAIRS  
 AND ESTIMATED 32 STANDEES  
 OR  
 38 SEATED PLUS 1 WHEELCHAIR  
 AND ESTIMATED 31 STANDEES  
 OR  
 35 SEATED PLUS 0 WHEELCHAIRS  
 AND ESTIMATED 38 STANDEES

ALL FRAMED SEATS ARE ADL SMARTSEAT 100, PREPARED FOR RETROSPECTIVE INSTALLATION OF 3-POINT SEATBELTS  
 CAPACITY IS BASED ON LAYOUT AS SHOWN, WITH NO SEATBELTS

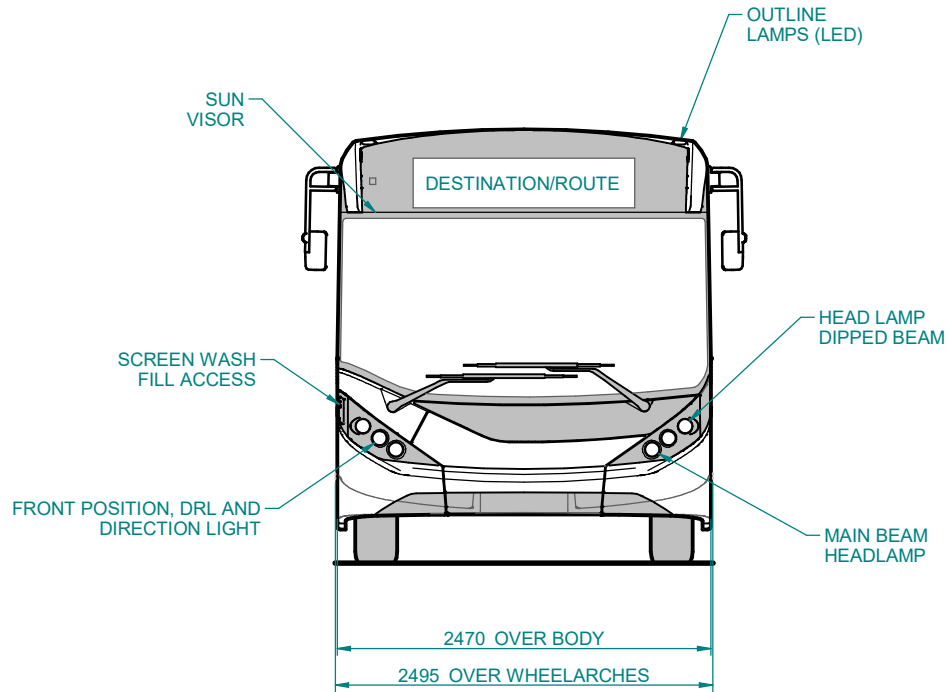
USB PROVISION ONLY, SOCKETS NOT INSTALLED AT BUILD.

- (P) INDICATES PRIORITY SEAT
- (T) INDICATES TIP-UP SEAT
- (BP) INDICATES BELL PUSH

Est. MIRO = 8093 kg  
 Est. UW = 7842 kg  
 Ref: J241

<p>Form No EN-059</p>	Rev	Date	Description	Name	<b>Title :</b> 10.8 METRE MMC ENVIRO 200 BODY 4 CYL DENNIS CHASSIS - (EURO 6)  REF: 'RETAIL STOCK'	Drawn :	J.Duff	<b>Seat Type :</b> ADL SmartSeat 100 High Back (Seatbelt Provision Only)  Alexander Dennis Ltd 91 Glasgow Road Falkirk FK1 4JB T- 01324 621672 F- 01324 621746	Iss No :	01	Page No :	3
						Date :	21-01-20		Drg No :	L202GA		
						Enq :						

\* ENGINEERING PROPOSAL FOR THE PURPOSE OF ESTIMATION OF COSTING AND TIMING.  
 \* LAYOUT PROPOSAL IS SUBJECT TO ACCEPTANCE BY THE LEGISLATIVE BODY OF THE TARGET COUNTRY  
 \* THERE IS A BUILD TOLERANCE OF 2% THAT WILL AFFECT THE DECLARED CARRYING CAPACITY



FRONT ELEVATION

Est. MIRO = 8093 kg  
 Est. UW = 7842 kg  
 Ref: J241

Form No EN-059

Rev	Date	Description	Name
-	-	-	-

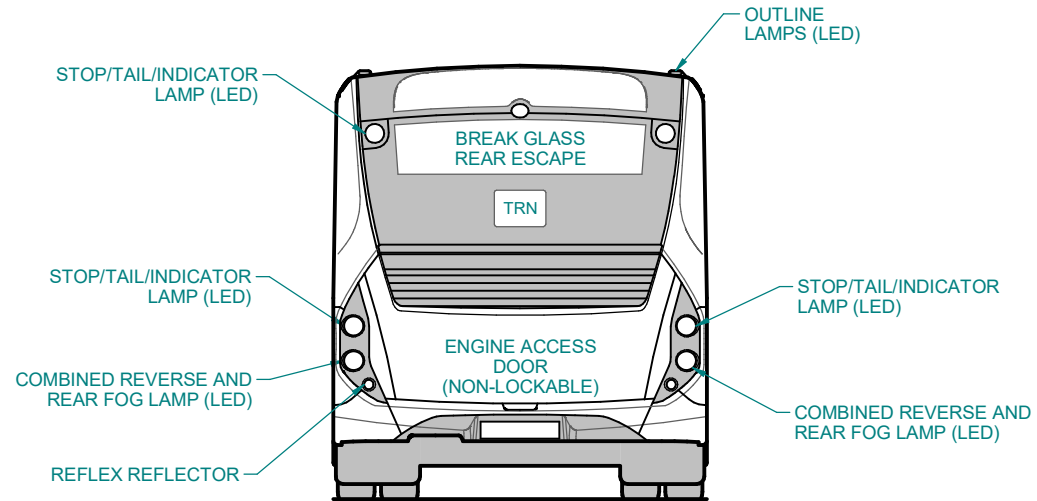
Title :  
 10.8 METRE MMC ENVIRO 200 BODY  
 4 CYL DENNIS CHASSIS - (EURO 6)  
 REF: 'RETAIL STOCK'

Drawn : J.Duff  
 Date : 21-01-20  
 Enq :

Seat Type :  
 ADL SmartSeat 100  
 High Back  
 (Seatbelt Provision Only)  
 Alexander Dennis Ltd  
 91 Glasgow Road  
 Falkirk FK1 4JB  
 T- 01324 621672 F- 01324 621746

Iss No : 01 Page No : 4  
 Drg No : L202GA

\* ENGINEERING PROPOSAL FOR THE PURPOSE OF ESTIMATION OF COSTING AND TIMING.  
 \* LAYOUT PROPOSAL IS SUBJECT TO ACCEPTANCE BY THE LEGISLATIVE BODY OF THE TARGET COUNTRY  
 \* THERE IS A BUILD TOLERANCE OF 2% THAT WILL AFFECT THE DECLARED CARRYING CAPACITY

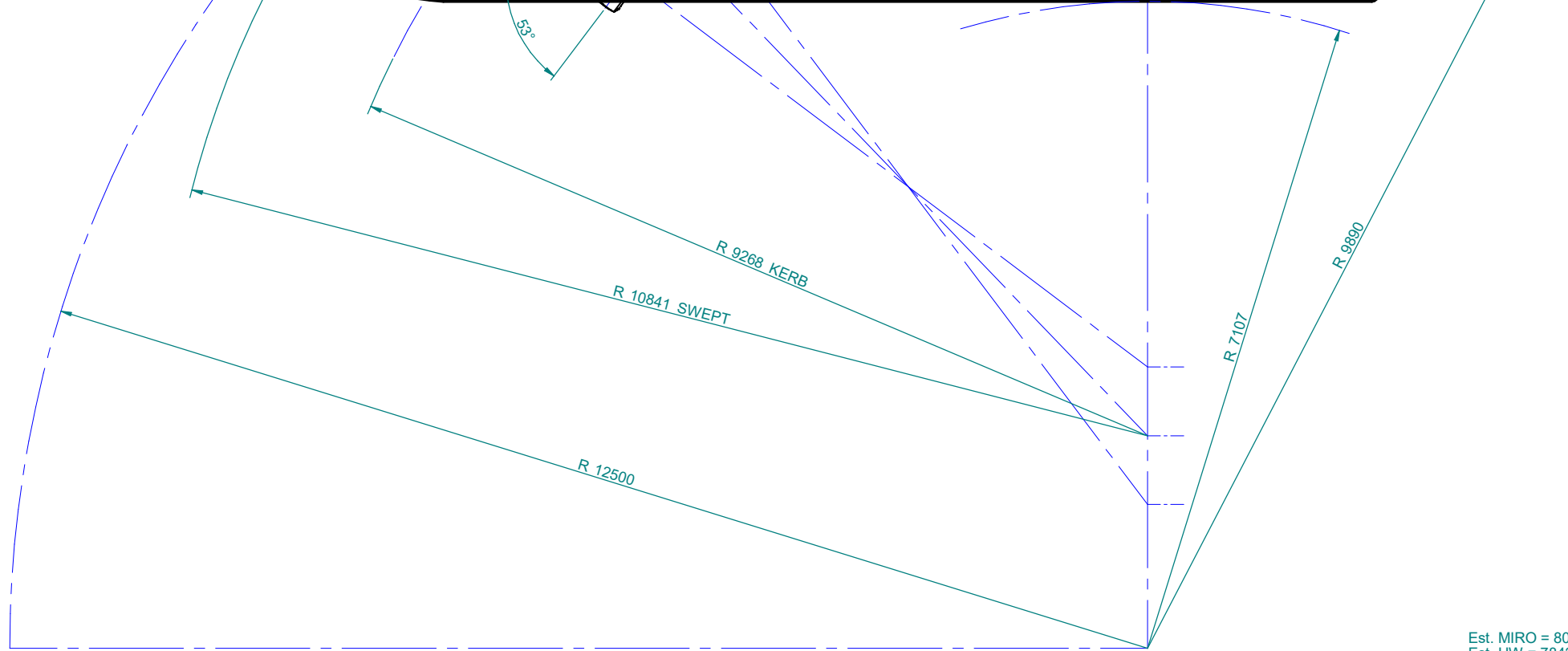
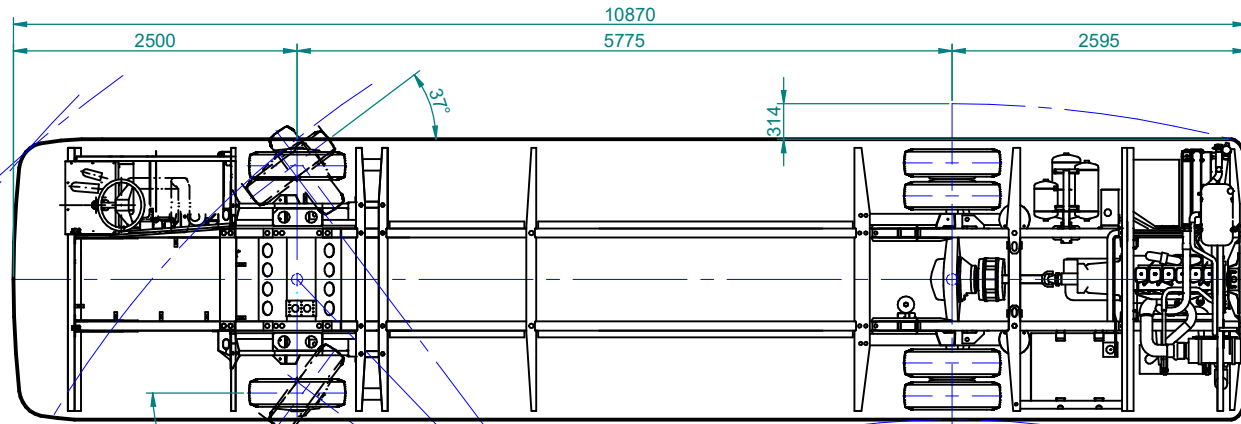


REAR ELEVATION

Est. MIRO = 8093 kg  
 Est. UW = 7842 kg  
 Ref: J241

 <b>ALEXANDER DENNIS</b> Form No EN-059	Rev	Date	Description	Name	<b>Title :</b> 10.8 METRE MMC ENVIRO 200 BODY 4 CYL DENNIS CHASSIS - (EURO 6)  REF: 'RETAIL STOCK'	Drawn :	J.Duff	Seat Type :	ADL SmartSeat 100 High Back (Seatbelt Provision Only)	Iss No :	01	Page No :	5
	-	-	-	-		Date :	21-01-20	Alexander Dennis Ltd 91 Glasgow Road Falkirk FK1 4JB T- 01324 621672 F- 01324 621746	Drg No :	<b>L202GA</b>			
						Enq :							

\* ENGINEERING PROPOSAL FOR THE PURPOSE OF ESTIMATION OF COSTING AND TIMING.  
 \* LAYOUT PROPOSAL IS SUBJECT TO ACCEPTANCE BY THE LEGISLATIVE BODY OF THE TARGET COUNTRY  
 \* THERE IS A BUILD TOLERANCE OF 2% THAT WILL AFFECT THE DECLARED CARRYING CAPACITY



Est. MIRO = 8093 kg  
 Est. UW = 7842 kg  
 Ref: J241

**ALEXANDER DENNIS**  
 Form No EN-059

Rev	Date	Description	Name
-	-	-	-

Title :  
 10.8 METRE MMC ENVIRO 200 BODY  
 4 CYL DENNIS CHASSIS - (EURO 6)  
 REF: 'RETAIL STOCK'

Drawn : J.Duff  
 Date : 21-01-20  
 Enq :

Seat Type :  
 ADL SmartSeat 100  
 High Back  
 (Seatbelt Provision Only)  
 Alexander Dennis Ltd  
 91 Glasgow Road  
 Falkirk FK1 4JB  
 T- 01324 621672 F- 01324 621746

Iss No : 01 Page No : 6  
 Drg No : L202GA