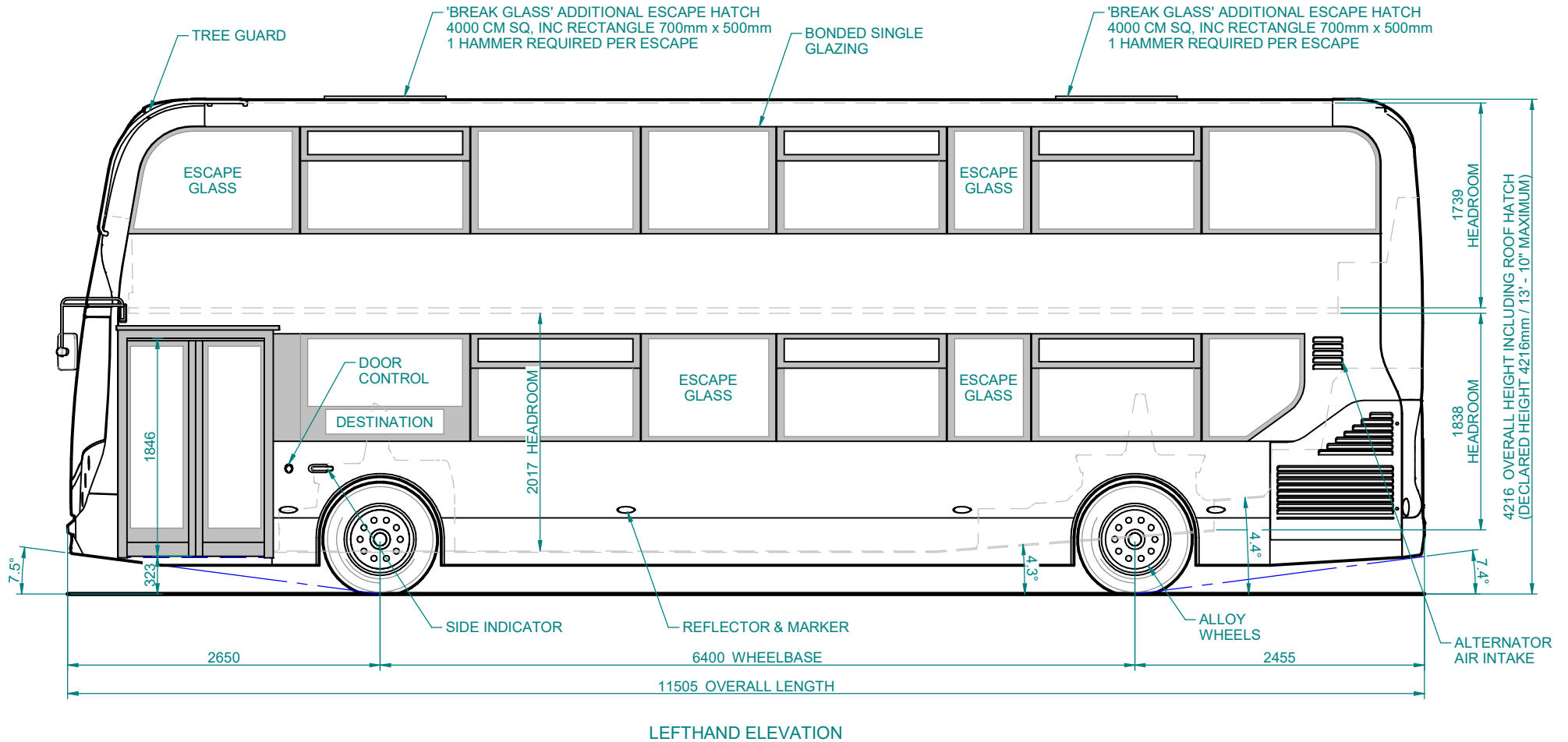


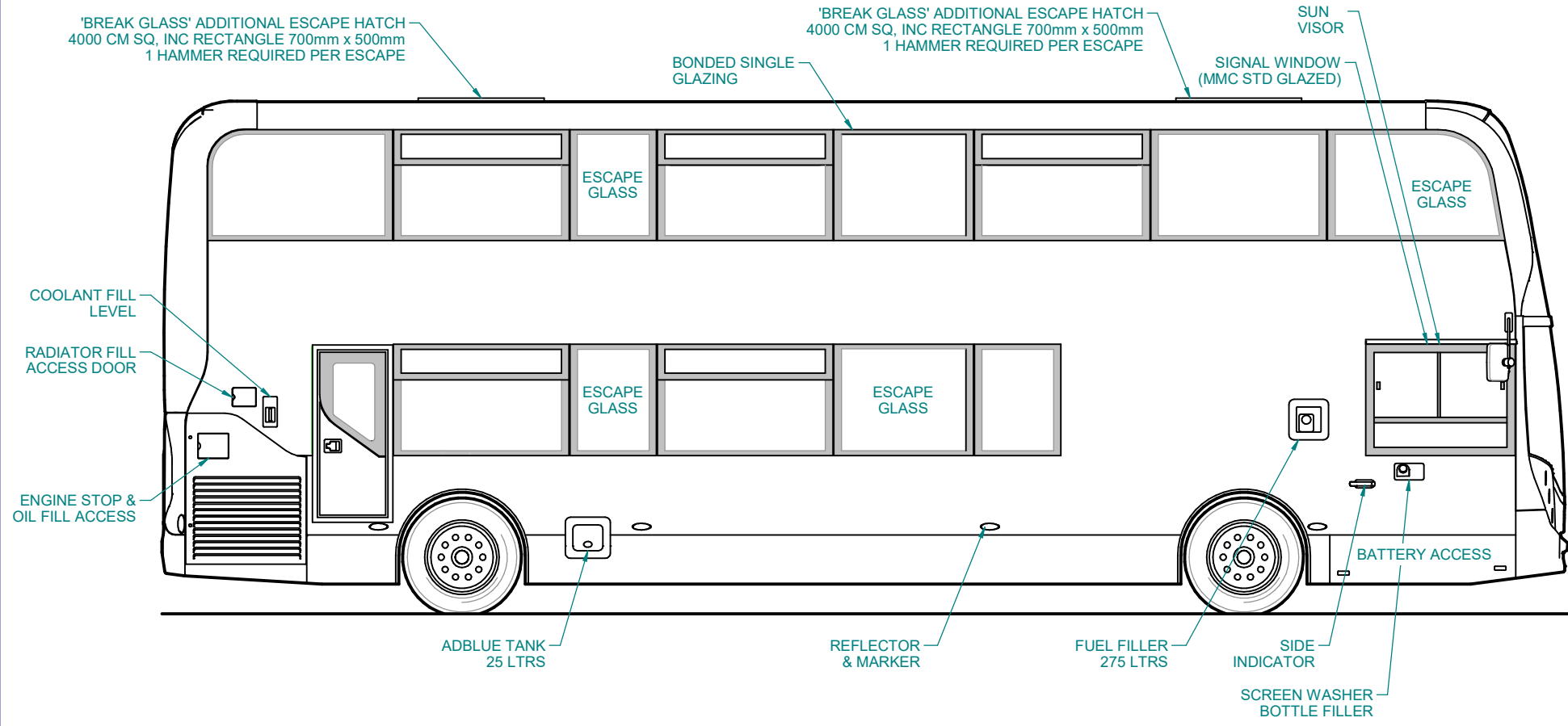
* ENGINEERING PROPOSAL FOR THE PURPOSE OF ESTIMATION OF COSTING AND TIMING.
 * LAYOUT PROPOSAL IS SUBJECT TO ACCEPTANCE BY THE LEGISLATIVE BODY OF THE TARGET COUNTRY
 * THERE IS A BUILD TOLERANCE OF 2% THAT WILL AFFECT THE DECLARED CARRYING CAPACITY



Est. MIRO = 12055 kg
 Est. UW = 11760 kg
 Ref: L416

<p>Form No EN-059</p>	Rev	Date	Description	Name	Title : 11.5 METRE MMC ENVIRO 400 BODY DENNIS TRIDENT 2 CHASSIS - (EURO 6) REF: 'MISTRAL'	Drawn :	Seat Type :	Iss No : 01	Page No : 1
	-	-	-	-		P.H	ADL SMARTSEAT 100 H/B C/W 3-POINT BELTS		
	-	-	-	-		-	Date : 13/05/21	Alexander Dennis Ltd 91 Glasgow Road Falkirk FK1 4JB T- 01324 621672 F- 01324 621746	Drg No :
					Enq :	-			

* ENGINEERING PROPOSAL FOR THE PURPOSE OF ESTIMATION OF COSTING AND TIMING.
 * LAYOUT PROPOSAL IS SUBJECT TO ACCEPTANCE BY THE LEGISLATIVE BODY OF THE TARGET COUNTRY
 * THERE IS A BUILD TOLERANCE OF 2% THAT WILL AFFECT THE DECLARED CARRYING CAPACITY



RIGHTHAND ELEVATION

Est. MIRO = 12055 kg
 Est. UW = 11760 kg
 Ref: L416



Rev	Date	Description	Name
-	-	-	-

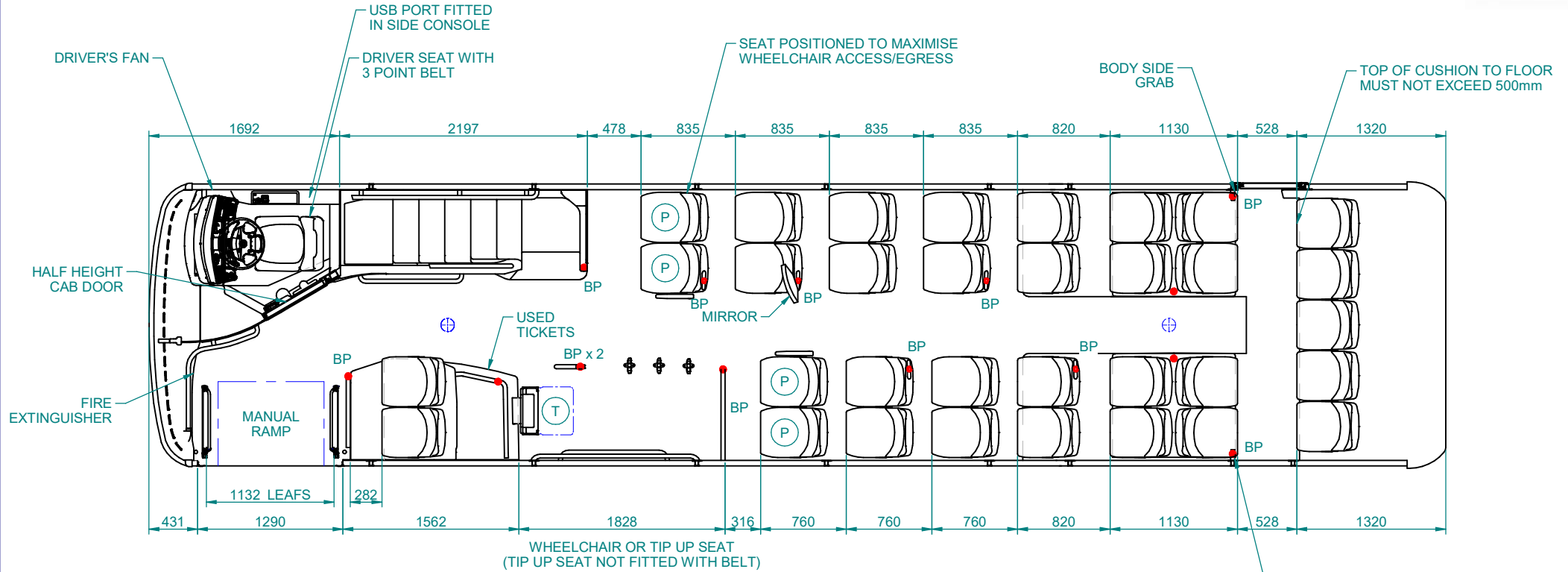
Title :
 11.5 METRE MMC ENVIRO 400 BODY
 DENNIS TRIDENT 2 CHASSIS - (EURO 6)
 REF: 'MISTRAL'

Drawn : P.H
 Date : 13/05/21
 Enq : -

Seat Type :
 ADL SMARTSEAT 100 H/B
 C/W 3-POINT BELTS
 Alexander Dennis Ltd
 91 Glasgow Road
 Falkirk FK1 4JB
 T- 01324 621672 F- 01324 621746

Iss No : 01 Page No : 2
 Drg No : M421GA

* ENGINEERING PROPOSAL FOR THE PURPOSE OF ESTIMATION OF COSTING AND TIMING.
 * LAYOUT PROPOSAL IS SUBJECT TO ACCEPTANCE BY THE LEGISLATIVE BODY OF THE TARGET COUNTRY
 * THERE IS A BUILD TOLERANCE OF 2% THAT WILL AFFECT THE DECLARED CARRYING CAPACITY



34 SEATED PASSENGERS PLUS 0 WHEELCHAIR
 ESTIMATED STANDEES 2 OR -

33 SEATED PASSENGERS PLUS 1 WHEELCHAIR
 ESTIMATED STANDEES 1 OR -

33 SEATED PASSENGERS PLUS 0 WHEELCHAIR
 ESTIMATED STANDEES 3

- 33 FORWARD/REAR FACING SEATS FITTED WITH 3 POINT BELTS
 (TIP UP SEAT NOT FITTED WITH BELTS)

(P) INDICATES PRIORITY SEAT

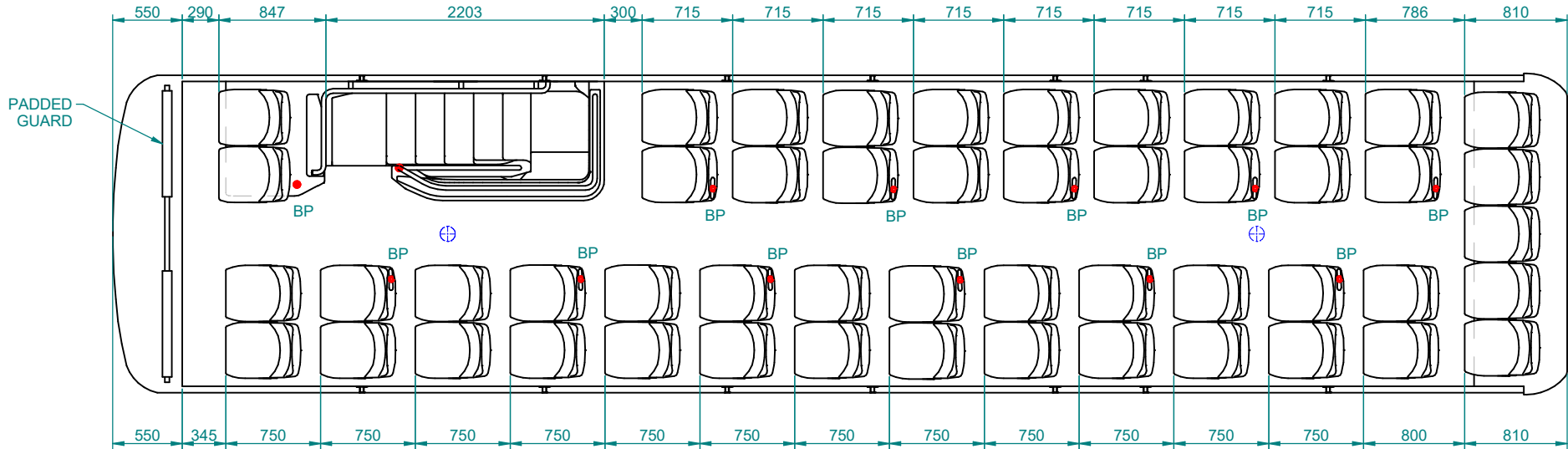
(T) INDICATE TIP UP SEAT

(BP) INDICATE BELL PUSH

Est. MIRO = 12055 kg
 Est. UW = 11760 kg
 Ref: L416


 ALEXANDER DENNIS Form No EN-059	Rev	Date	Description	Name	Title : 11.5 METRE MMC ENVIRO 400 BODY DENNIS TRIDENT 2 CHASSIS - (EURO 6) REF: 'MISTRAL'	Drawn :	Seat Type :	Iss No : 01	Page No : 3
	-	-	-	-		P.H	ADL SMARTSEAT 100 H/B C/W 3-POINT BELTS		
	-	-	-	-		-	Date : 13/05/21	Alexander Dennis Ltd 91 Glasgow Road Falkirk FK1 4JB T- 01324 621672 F- 01324 621746	Drg No :
-	-	-	-	-	Enq :	-	-		

* ENGINEERING PROPOSAL FOR THE PURPOSE OF ESTIMATION OF COSTING AND TIMING.
 * LAYOUT PROPOSAL IS SUBJECT TO ACCEPTANCE BY THE LEGISLATIVE BODY OF THE TARGET COUNTRY
 * THERE IS A BUILD TOLERANCE OF 2% THAT WILL AFFECT THE DECLARED CARRYING CAPACITY

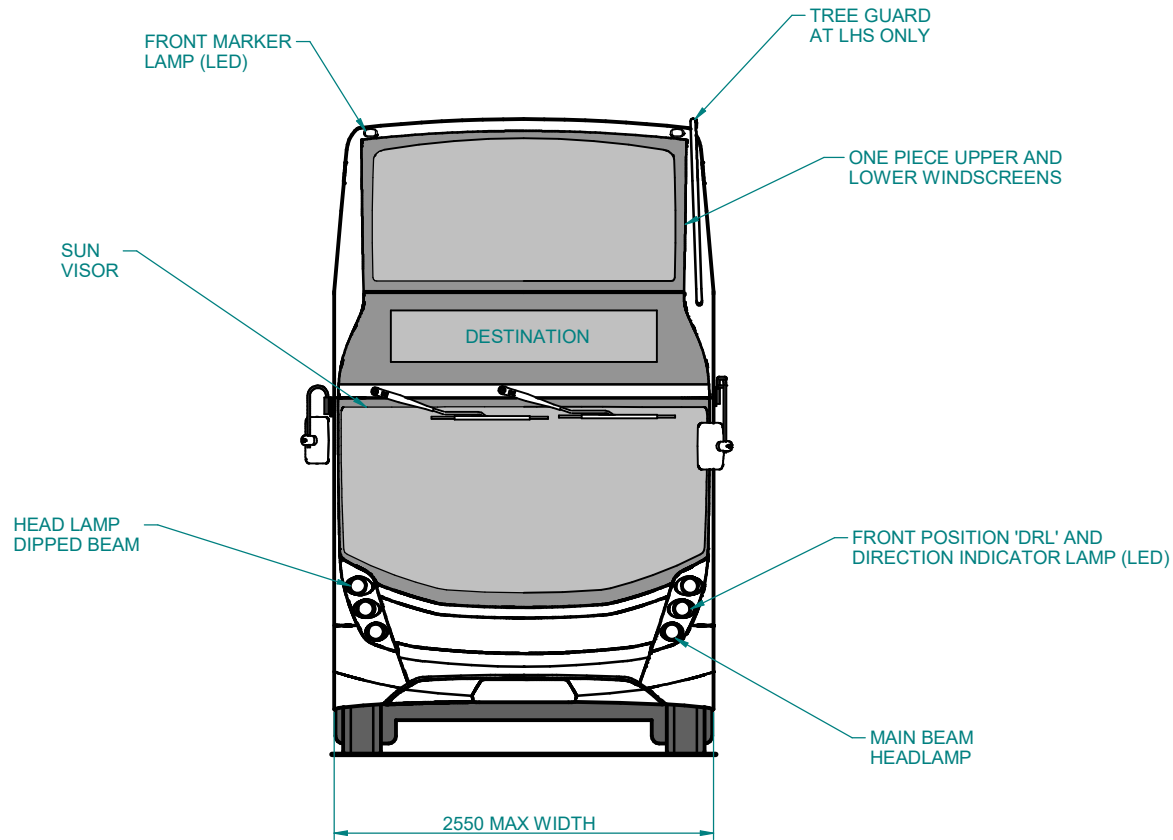


UPPER SALOON SEATING CAPACITY 51
 (ALL FITTED WITH 3 POINT BELTS)
 (CERTIFICATION TO NSSTA ALLOWS 50 SEATS TO BE EXCEEDED)

Est. MIRO = 12055 kg
 Est. UW = 11760 kg
 Ref: L416

 ALEXANDER DENNIS Form No EN-059	Rev	Date	Description	Name	Title : 11.5 METRE MMC ENVIRO 400 BODY DENNIS TRIDENT 2 CHASSIS - (EURO 6) REF: 'MISTRAL'	Drawn :	Seat Type :	Iss No : 01 Page No : 4
	-	-	-	-		P.H	ADL SMARTSEAT 100 H/B C/W 3-POINT BELTS	
	-	-	-	-		-	Date : 13/05/21	Alexander Dennis Ltd 91 Glasgow Road Falkirk FK1 4JB T- 01324 621672 F- 01324 621746

* ENGINEERING PROPOSAL FOR THE PURPOSE OF ESTIMATION OF COSTING AND TIMING.
 * LAYOUT PROPOSAL IS SUBJECT TO ACCEPTANCE BY THE LEGISLATIVE BODY OF THE TARGET COUNTRY
 * THERE IS A BUILD TOLERANCE OF 2% THAT WILL AFFECT THE DECLARED CARRYING CAPACITY

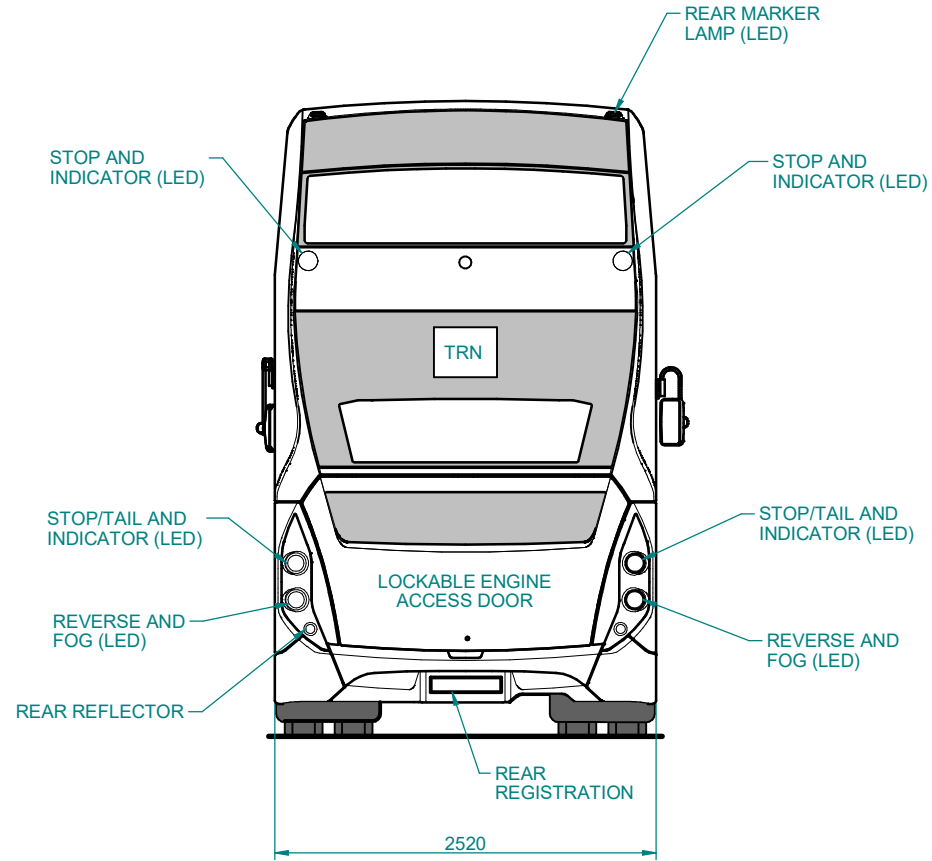


FRONT ELEVATION

Est. MIRO = 12055 kg
 Est. UW = 11760 kg
 Ref: L416


 Form No EN-059	Rev	Date	Description	Name	Title : 11.5 METRE MMC ENVIRO 400 BODY DENNIS TRIDENT 2 CHASSIS - (EURO 6) REF: 'MISTRAL'	Drawn :	Seat Type :	Iss No : 01	Page No : 5
	-	-	-	-		P.H	ADL SMARTSEAT 100 H/B C/W 3-POINT BELTS		
	-	-	-	-		-	Date : 13/05/21	Alexander Dennis Ltd 91 Glasgow Road Falkirk FK1 4JB T- 01324 621672 F- 01324 621746	Drg No : M421GA

* ENGINEERING PROPOSAL FOR THE PURPOSE OF ESTIMATION OF COSTING AND TIMING.
 * LAYOUT PROPOSAL IS SUBJECT TO ACCEPTANCE BY THE LEGISLATIVE BODY OF THE TARGET COUNTRY
 * THERE IS A BUILD TOLERANCE OF 2% THAT WILL AFFECT THE DECLARED CARRYING CAPACITY

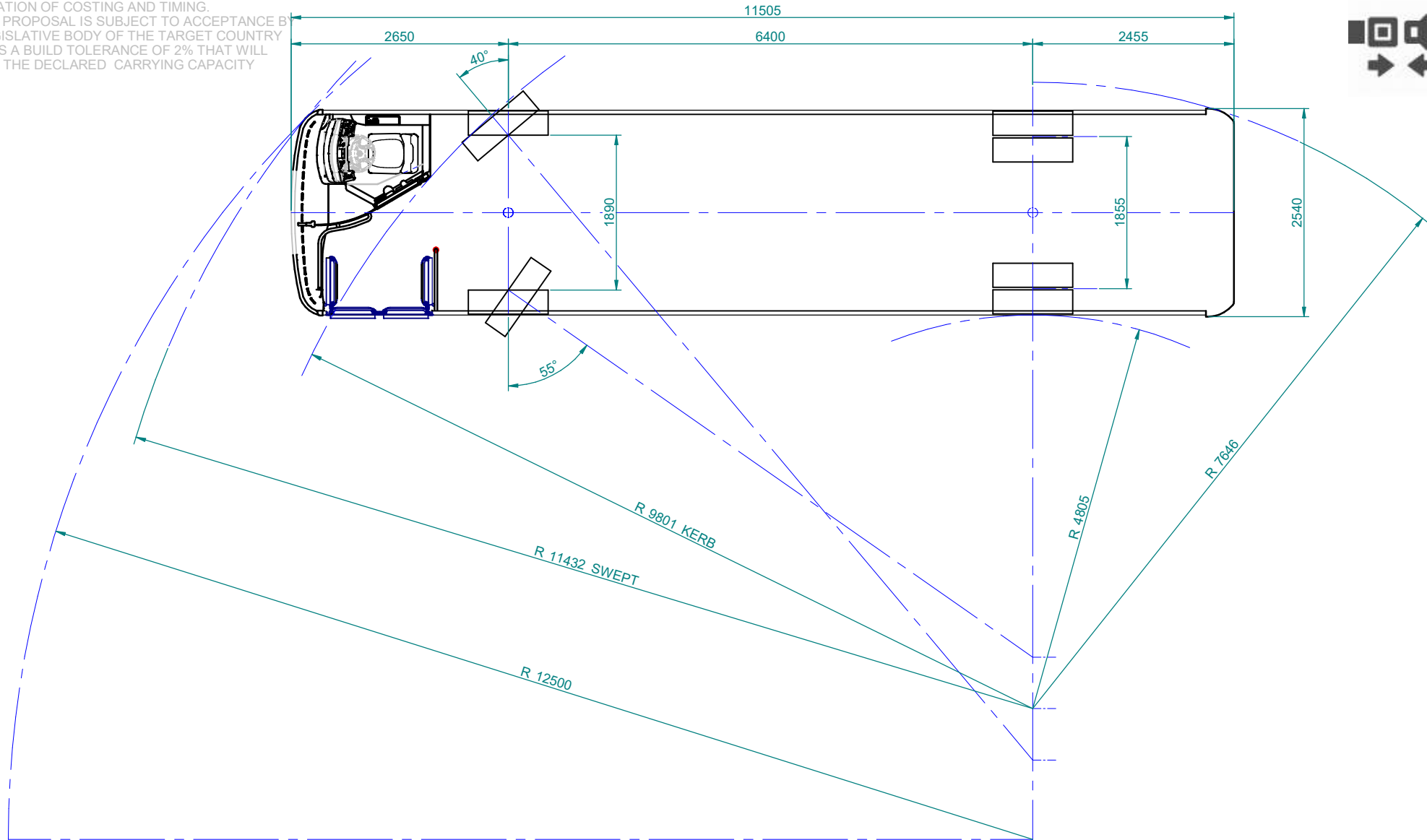


REAR ELEVATION

Est. MIRO = 12055 kg
 Est. UW = 11760 kg
 Ref: L416

 ALEXANDER DENNIS Form No EN-059	Rev	Date	Description	Name	Title : 11.5 METRE MMC ENVIRO 400 BODY DENNIS TRIDENT 2 CHASSIS - (EURO 6) REF: 'MISTRAL'	Drawn :	Seat Type :	Iss No : 01	Page No : 6
	-	-	-	-		P.H	ADL SMARTSEAT 100 H/B C/W 3-POINT BELTS		
	-	-	-	-		-	Date : 13/05/21	Alexander Dennis Ltd 91 Glasgow Road Falkirk FK1 4JB T- 01324 621672 F- 01324 621746	Drg No : M421GA

* ENGINEERING PROPOSAL FOR THE PURPOSE OF ESTIMATION OF COSTING AND TIMING.
 * LAYOUT PROPOSAL IS SUBJECT TO ACCEPTANCE BY THE LEGISLATIVE BODY OF THE TARGET COUNTRY
 * THERE IS A BUILD TOLERANCE OF 2% THAT WILL AFFECT THE DECLARED CARRYING CAPACITY



Est. MIRO = 12055 kg
 Est. UW = 11760 kg
 Ref: L416



Form No EN-059

Rev	Date	Description	Name
-	-	-	-

Title :
 11.5 METRE MMC ENVIRO 400 BODY
 DENNIS TRIDENT 2 CHASSIS - (EURO 6)
 REF: 'MISTRAL'

Drawn : P.H
 Date : 13/05/21
 Enq : -

Seat Type :
 ADL SMARTSEAT 100 H/B
 C/W 3-POINT BELTS
 Alexander Dennis Ltd
 91 Glasgow Road
 Falkirk FK1 4JB
 T- 01324 621672 F- 01324 621746

Iss No : 01 Page No : 7
 Drg No : M421GA